

INSTALLATION INSTRUCTIONS

Fireplaceblowersonline.com
1509 Rapids Drive • Racine, WI 53404
262-989-4882 • 262-989-4883 • 262-633-2344 (fax)

Model FBK-250 Blower Kit

This is a contractor replacement kit. The blowers are aftermarket models, not original equipment with LIMITED INSTRUCTIONS! Intended to be installed by a qualified technician.

INSTALLATION INSTRUCTIONS FOR BLOWER KIT FBK-250 FOR USE WITH GAS FIREPLACES

GENERAL INFORMATION

This blower kit may be used with gas fireplaces. The FBK-250 blower kit is used when unit-mounted variable speed blower control is desired. The blower is installed beneath the firebox. Room air is drawn in through the bottom area of the fireplace, heated as it passes across the firebox and discharged through the upper panel/louver area at the top of the fireplace. This kit contains one blower, one speed control module, one thermodisc assembly and these instructions.

INSTALLATION INSTRUCTIONS

- Step 1.** Turn off the fireplace and allow it to cool before proceeding.
- Step 2.** If the appliance is connected to 120 volt power, disconnect the power.
- Step 3.** Shut off the gas supply to the fireplace.
- Step 4.** Open the lower compartment door (either a radiant panel or louver assembly) by pushing in simultaneously the left and right side of the door (the door is hinged at the bottom).
- Step 5.** **D-400, D-500, D-600 and D-800 series; B-500, B-600 and B-800 series; and MDT3328 and MDR3328 Fireplaces** – Remove the bottom panel or louver assembly by removing the screw at each end of the panel or louver assembly, retain the end spacers and then pull the panel or the louver assembly from the unit.
- Elite-2 Series Fireplaces** – Remove the bottom compartment door (on multi-open fireplaces, the modesty panel side door) by sliding the hinge pin located at the door's left side to the right until it disengages from the left corner post hole. Pull the door diagonally to the left, away from the fireplace.
- Step 6.** **Elite-2 Series Fireplaces** – Remove the modesty panel as follows: lift the modesty panel by the tab on the panel's right end, pull the right end of the panel away from cabinet and then pull the panel diagonally out of the corner post slots on the left side of the unit. Remove the modesty panel carefully so that none of the wires become loose or disconnected.

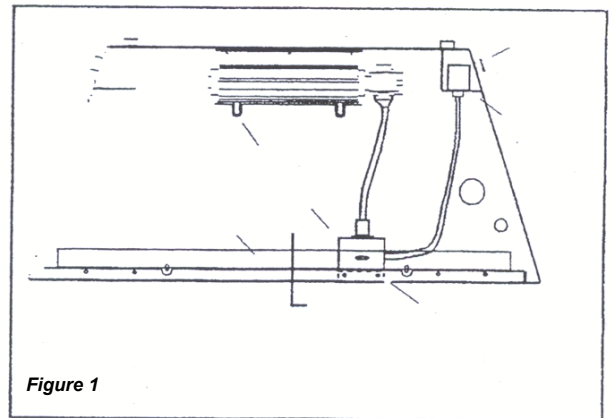


Figure 1

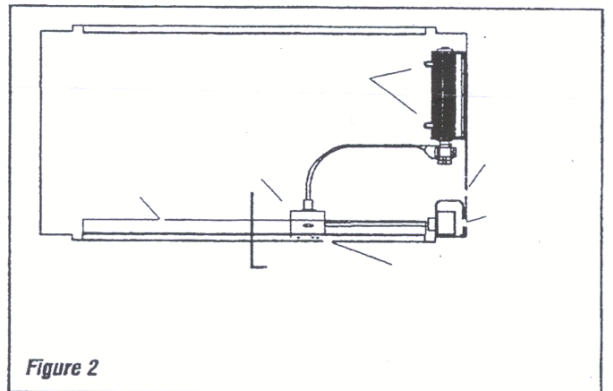


Figure 2

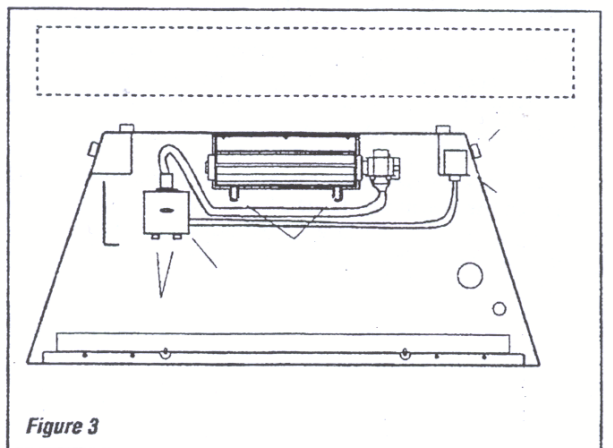
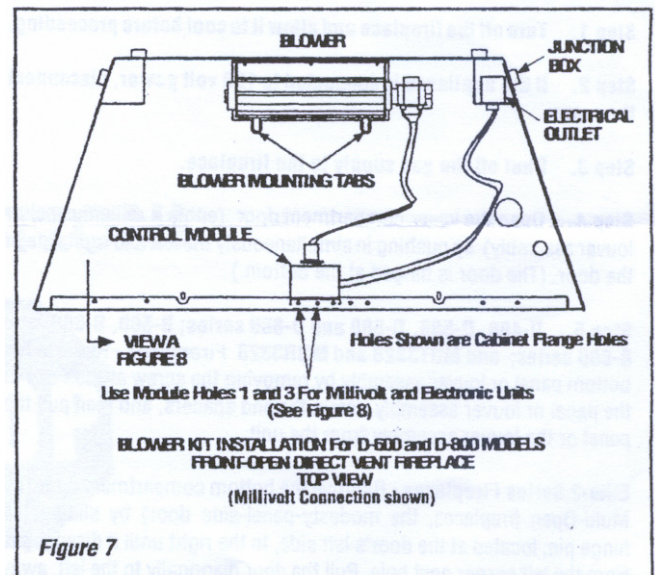
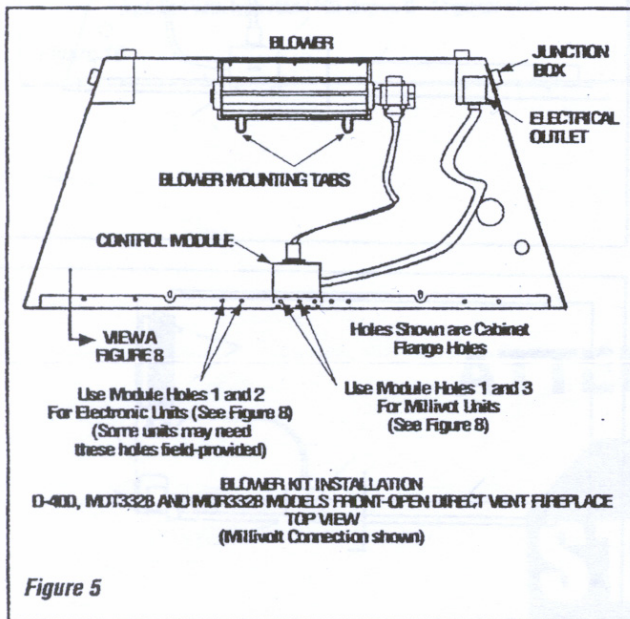
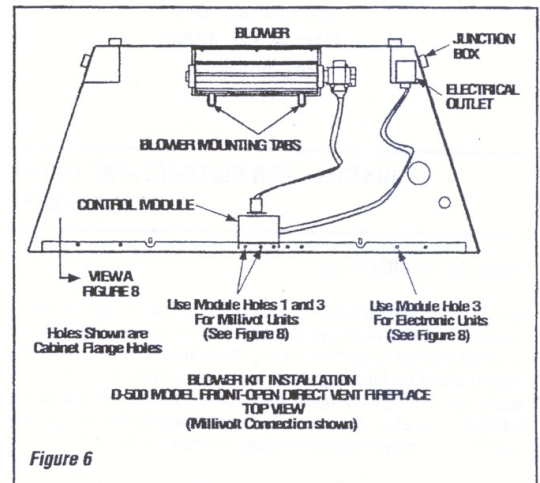
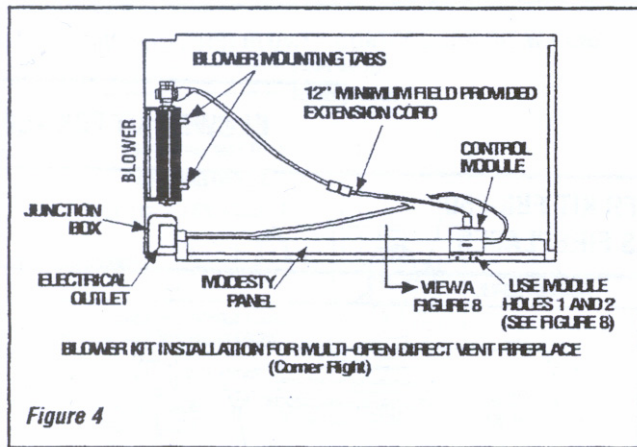


Figure 3

NOTE: Diagrams and Illustrations are not to Scale



Step 7. Front-Open Direct Vent and B-Vent Units – Slide the blower assembly through the front opening to the middle rear area of the cabinet base. Position the blower assembly so that the tabs (located on the cabinet base) are seated in the notches of the blower bracket. Then bend the tabs over to secure the blower assembly (**See , Direct Vent Models; Figure 3, B-Vent Models**).

Multi-Open Direct Vent – Open all remaining bottom hinged-panels. Slide the blower assembly through the closest opening to the flue side of the cabinet base. Position the blower assembly so that the tabs (located on the cabinet base) are seated in the notches of the blower bracket. Bend the tabs over to secure the blower assembly (**See Figure 2 for see-through, peninsula or corner-left models; Figure 4 for corner right models**).

Step 8. Position the thermodisc so that it touches the underside of the firebox floor in Direct Vent units, B-600/800 units and the firebox sub-floor in B-500 units.

Step 9. Elite-2 Series Gas Fireplaces – Remove the control knob from the module (see **View A, Figure 8**). Cut out the circular opening on the modesty panel sticker that is reserved for the installation of the speed control module. Reinstall the modesty panel carefully so that none of the wires become loose or disconnected. Reinstall the control knob.

Direct Vent Units – The approximate blower start time is 15 minutes from main burner startup. The approximate blower shut off time is 10 minutes after main burner is shut down.

B-Vent Units – The approximate blower start time is 20 minutes from main burner startup. The approximate blower shut off time is 20 minutes after the main burner is shut down.

NOTE: Diagrams and Illustrations are not to Scale

ATTENTION!



The thermodisc is set to turn on at approximately 120° F and will shut off at approximately 90° F.

NOTE: Blower **will not start** until thermodisc is heated to approximately 120° F.
The thermodisc has been factory tested.

FIREPLACEBLOWERSONLINE.COM

NOTE: Diagrams and Illustrations are not to Scale